

Adapt-A-Desk

AAD-01B

Satzuma

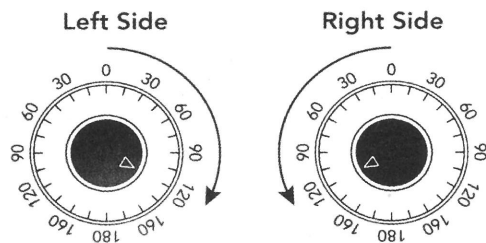
Packaging contents

- 1 x Folding Adapt-A-Desk
- 1 x Mouse Tray
- 1 x Screw
- 2 x Stopper Tabs

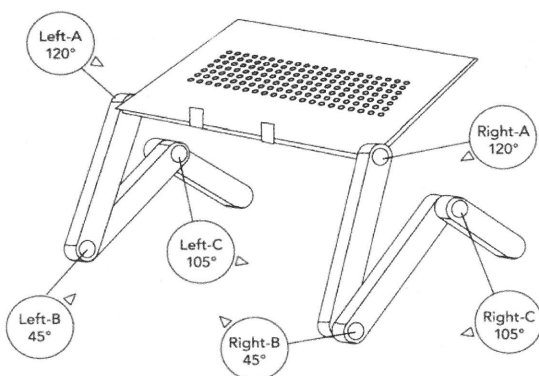
Set Up:

The multi-angle legs are operated by pressing in the round button on each joint, allowing it to move freely into the desired position. Once the small triangle on the button points to the chosen angle, release the button for the auto lock to hold its place. You will need to match the angle of this joint to the corresponding joint on the opposite side of the Adapt-A-Desk to ensure an even surface.

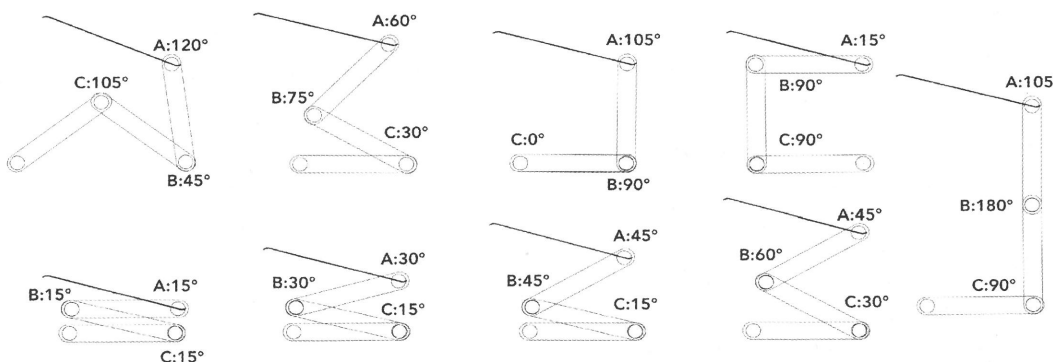
E.G. If joint A on the left side of the desk is set to 120° going clockwise, joint A on the right side of the desk will need to be set to 120° going counter-clockwise.



A seated desk can look like this:



Other positions include:



Mouse Tray:

- Locate the hole in the first leg on the right side of the Adapt-A-Desk.
- Thread the screw through the hole from the inside to the outside.
- Thread the screw through the mouse tray and tighten.
- Adjust angle as necessary.

Stopper Tabs:

- Place tab flat on the front edge of the desk top with the curve going over the edge.
- Rotate the tab 90° towards the edge with the curve sliding underneath the front edge.
- Adjust position as necessary.

Declaration of Conformity

Satzuma LTD hereby declares that the product Adapt-A-Desk conforms to the basic requirements, and other relevant provisions, of Directive 2004/108/EC. You can request a copy of the complete declaration of conformity by email from sales@satzuma.com

Konformitätserklärung

Satzuma LTD erklärt hiermit, dass das Produkt Adapt-A-Desk die allgemeinen Anforderungen und andere relevante Bestimmungen der Richtlinie 2004/108/EC erfüllt. Sie können eine Kopie der vollständigen Konformitätserklärung per E-Mail bei sales@satzuma.com anfordern.

This device complies with part 15 of the FCC Rules. Operation is subject to the following two conditions:
 1. This device may not cause harmful interference
 2. This device must accept any interference received, including interference that may cause undesired operation.



MADE IN CHINA

Satzuma LTD
 Unit 6 Laundry Mews
 Herschell Road
 London SE23 1RD
 United Kingdom
 TEL: +44(0)2086 785 650
www.satzuma.com